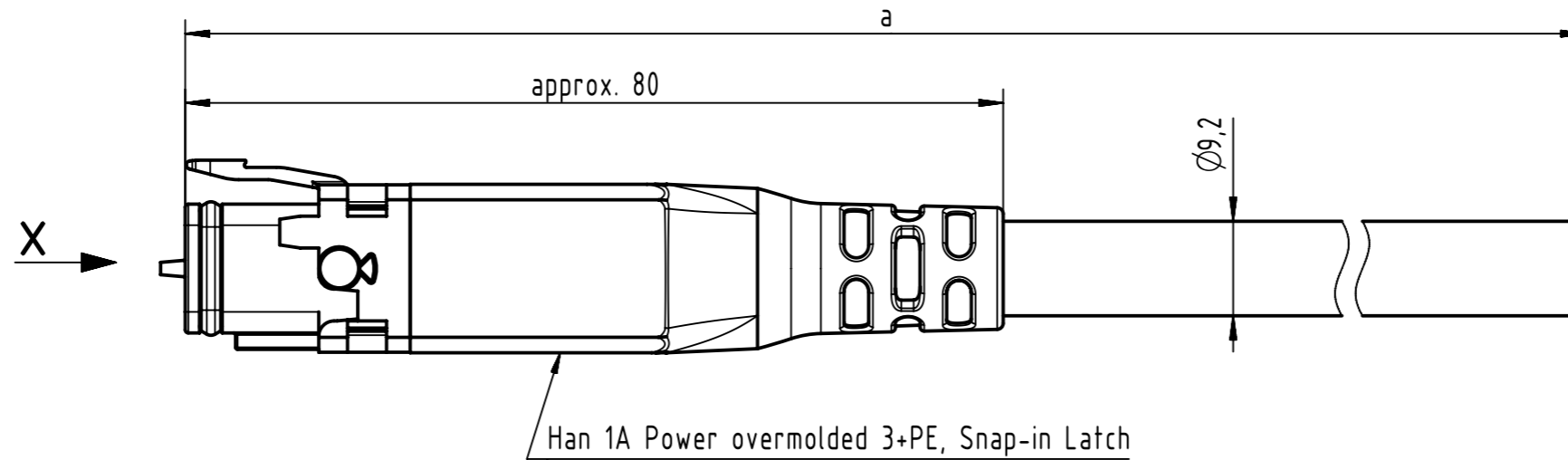
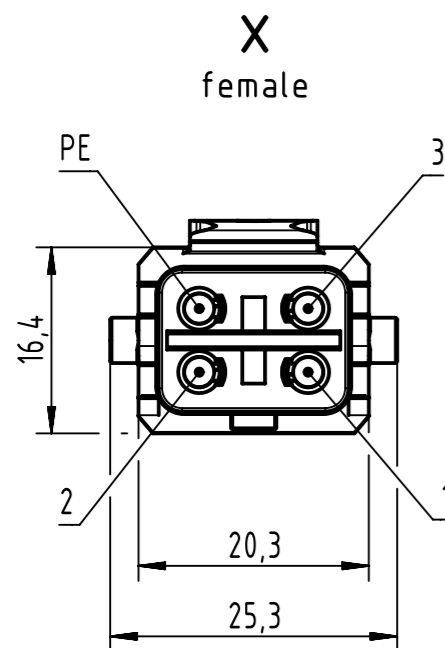


Connector Location A

Connector Location B

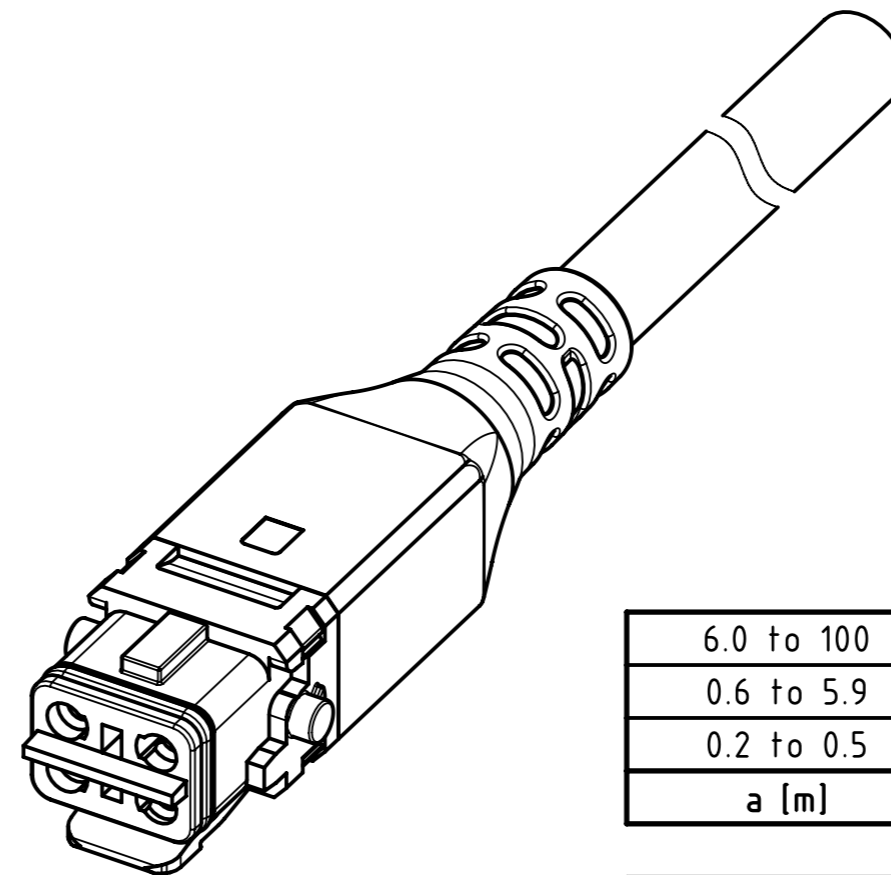


Han 1A Power overmolded 3+PE, Snap-in Latch



Loading Plan

- 1 wire 1
- 2 wire 2
- 3 wire 3
- PE green/yellow



NOTE:

- * Silver plated contacts
- * Protection level: IP66/67
- Temperature range:
- Fixed installation: -30°C ... +80°C
- Dynamic installation: -15°C ... +80°C

length in "1m" step	100	XXX=000
	99	XXX=990
	.	.
	12	XXX=120
length in "0.1m" step	11	XXX=110
	10	XXX=100
	9.9	XXX=099
	9.8	XXX=098
	.	.
	0.5	XXX=005
	0.4	XXX=004
	0.3	XXX=003
	0.2	XXX=002
Step	a [m]	XXX

6.0 to 100	±1%
0.6 to 5.9	+0.04
0.2 to 0.5	+0.02
a [m]	Tolerance

JZ-500 4G2.5mm ² , PVC, grey	33400300202XXX
Type of cable	Part no.

	All rights reserved		Created by BANIUD Banciu		Inspected by 402676 Gross		Standardisation MUNTEANV Muntean		Date 2022-07-22		State Final Release	
	Department HCS - RO		Title Han 1A OM 3+PE +latch f/- PVC		Doc-Key / ECM-Nr. 100999372/UGD/000/B 50000221229		Type TB		Number 33400300202XXX		Rev. B Page 1/1	
HARTING Customised Solutions			D-32339 Espelkamp									